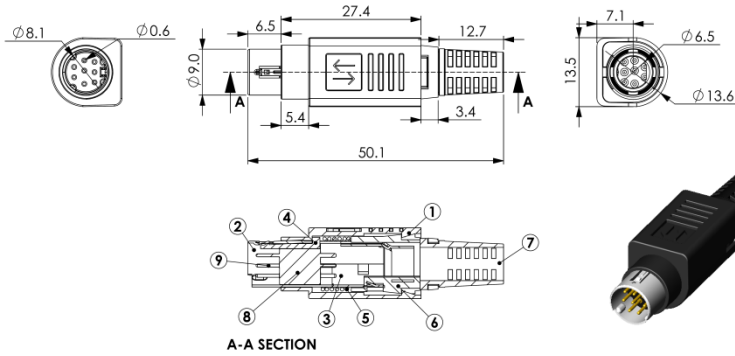


YE-116XMPL MINI DIN CABLE PLUG ASS'Y LOCKING TYPE



MATERIAL :

1. SHELL COVER : ABS
2. SHIELD COVER A : BRASS NICKEL PTD.
3. SHIELD COVER B : BRASS NICKEL PTD.
4. PERCH : POM
5. HOLDER : ABS
6. SPRING : STEEL NICKEL PTD.
7. STRAINBOOT : PVC
8. HOUSING PBT
9. TERMINALS : BRASS GOLD FLASH

SPECIFICATION :

Rating :

100V AC 1A /12V DC 2A max.

Contact Resistance :

30mΩ max.

Insulation Resistance :

50MΩ at 250V DC min.

Voltage Withstand :

250V AC for 1 minute

YE-1163MPL	YE-1164MPL	YE-1165MPL	YE-1166MPL	YE-1167MPL	YE-1168MPL



YE-1163MPL



YE-1164MPL



YE-1165MPL



YE-1166MPL



YE-1167MPL



YE-1168MPL